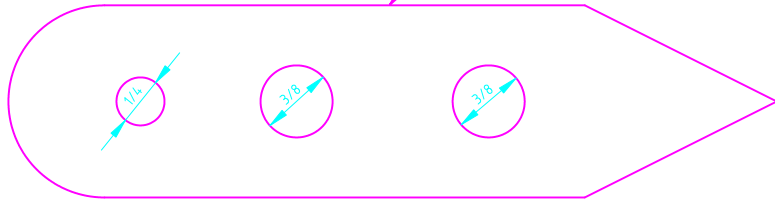
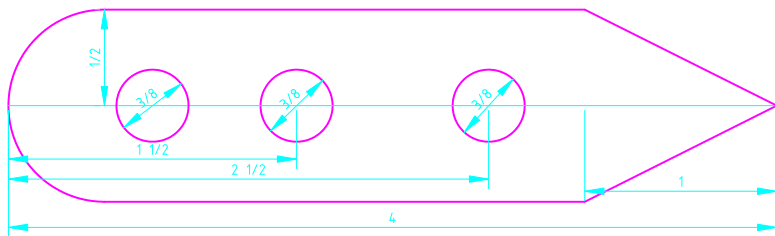
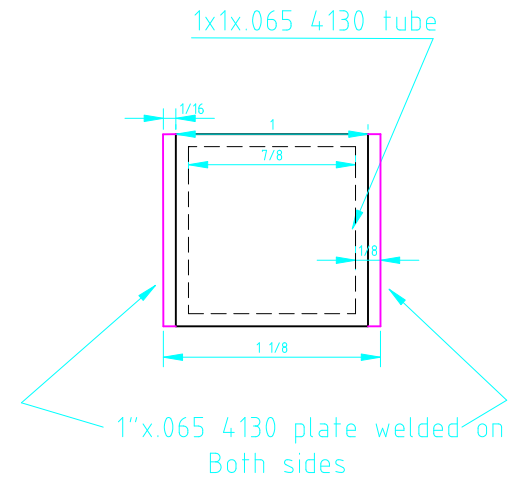
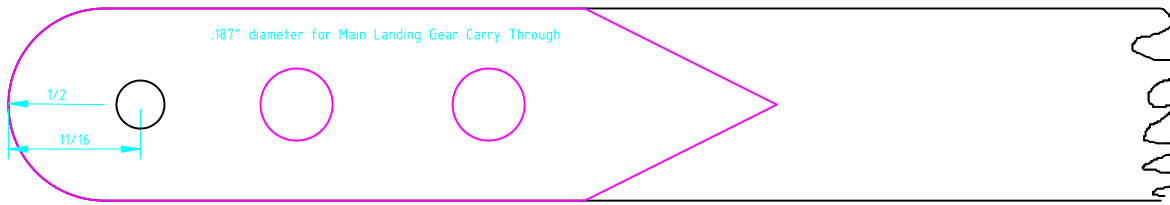


1x.065 Doubler Plate



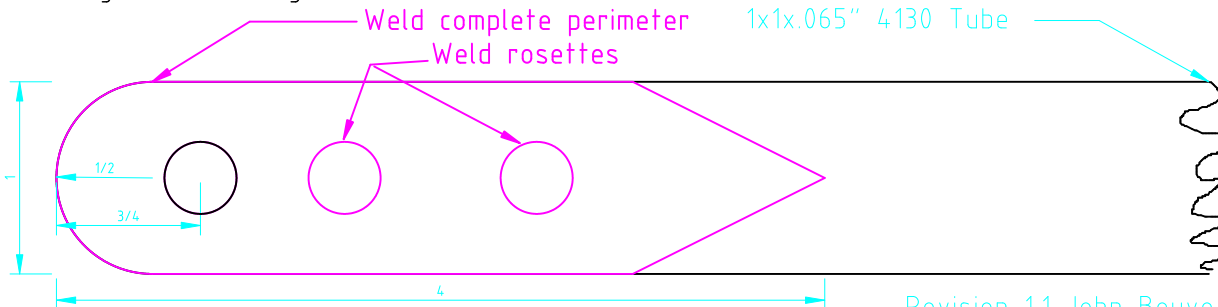
4 required

Main Landing Gear Channel Tube with Doubler Plates



4 required

Wing Strut Through Channel Tube with Doubler Plates



M-19 Flying Squirrel
 Marvin R. Barnard Designer
 Copyright Apr.1998
 Proprietary Information
 all rights reserved

Revision 1.1 John Bouyea - substitute 1" square tube for bent channel